

# PRATER SIGNATURE OPTIONS

## HEAVY DUTY SERIES (C/S)



HD Construction and wide range of seals and venting options designed for use on pneumatic applications up to 12 PSI differential pressure

- Precision machined to actual operating temperature for a tight seal
- Outboard mounted, maintenance free bearings
- Abrasion resistant packing ring seals
- Convey line adaptors and pocket venting options

## ABRASION RESISTANT SERIES



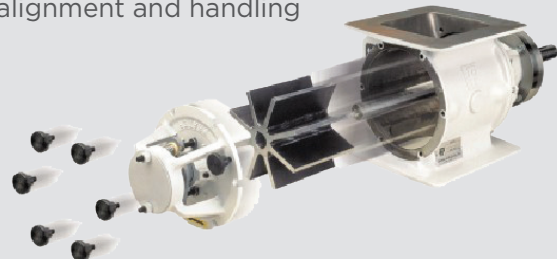
Long lasting construction for handling abrasive products, such as coke, fly ash, glass frit and minerals in both gravity feed and pneumatic applications

- Chrome, tungsten, or ceramic lined bodies
- Abrasion resistant (AR400) or tungsten lined rotor tips
- Custom side seals and air purging for longer shaft seal life

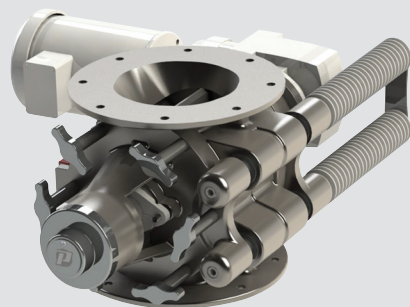
## QUICK-TAKE-APART SERIES

Designed for applications that require frequent disassembly and cleaning

- Tool-less disassembly
- No re-gapping of rotor required when re-assembling
- Optional guide rail system to assist with part alignment and handling



## SANITARY SERIES



- FDA Approved materials within construction
- Maximum open area for easy FDA seal changes
- Permanently sealed bearings ensure protection from contamination
- Safest operational design for sanitary valve today



## ROTARY AIRLOCKS

Perfectly Matched Performance

### Capacity Chart

PRATER ROTARY AIRLOCK FEEDER (Capacity in Cubic Feet Per Minute)

RPM POCKET MODEL	10		15		20		25	
	FULL	80%	FULL	80%	FULL	80%	FULL	80%
PAV-6	1.50	1.20	2.25	1.80	3.00	2.40	3.75	3.00
PAV-8	3.00	2.40	4.50	3.60	6.00	4.80	7.50	6.00
PAV-10	3.25	4.20	7.95	6.30	10.50	8.40	13.12	10.50
PAV-12	9.50	7.60	14.75	11.40	19.00	15.20	23.75	19.00
PAV-14	14.75	11.80	22.20	17.70	29.60	23.60	36.88	29.50
PAV-16	23.00	18.40	34.50	27.60	46.00	36.80	57.50	46.00
PAV-1420	13.00	10.40	19.50	15.60	26.00	20.80	32.50	26.00
PAV-1824	30.00	24.00	45.00	36.00	60.00	48.00	75.00	60.00
PAV-2830	97.00	77.60	145.50	116.40	194.00	155.20	242.50	194.50

Note: When using as a feeder, run the airlock at 15 RPM or above.

# PRATER SIGNATURE FEATURES

## HOUSINGS

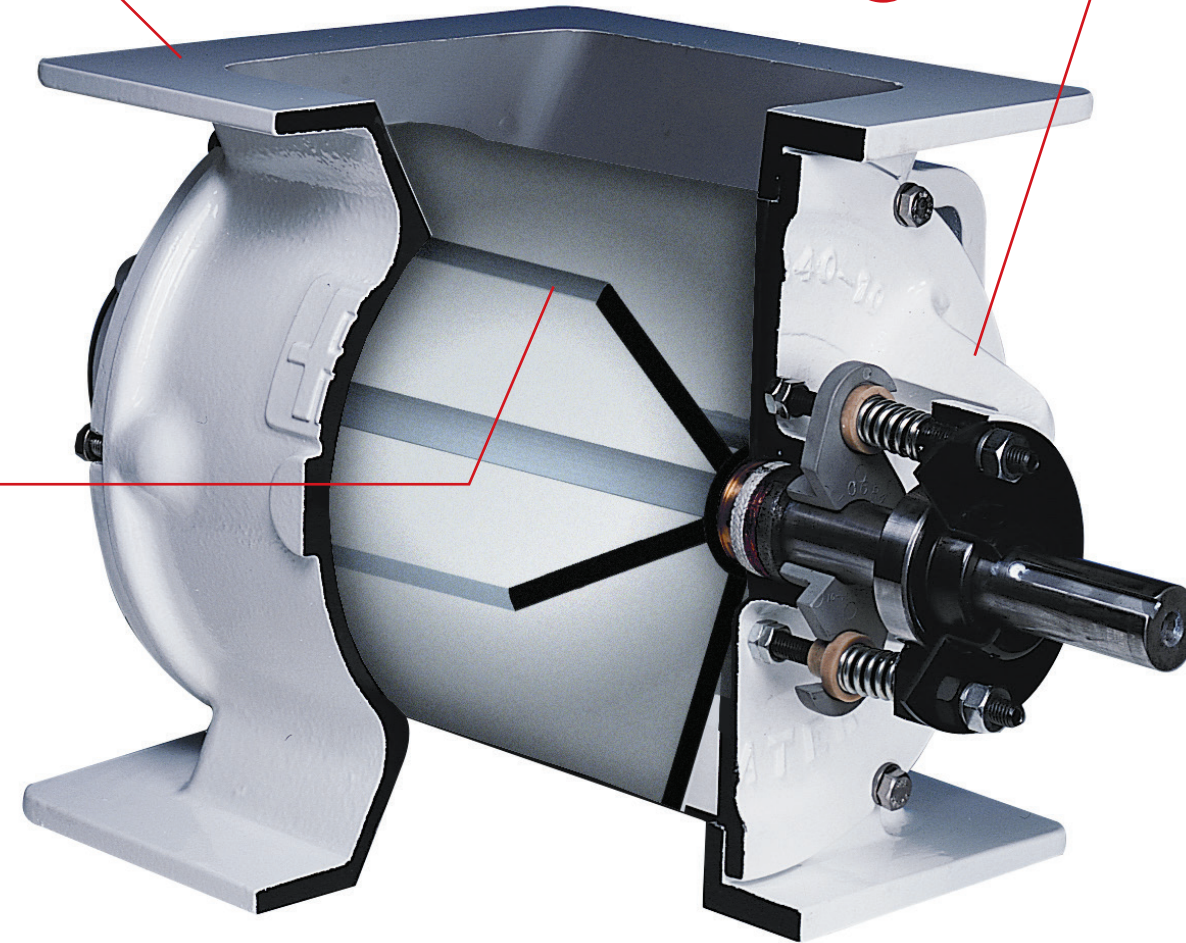
- Precision machined heavy duty castings offer long life and minimal air loss
- Oversized universal flanges allow our airlocks to match up to existing square or round bolt hole patterns
- Compact stack up height design allows for maximum material displacement in the smallest possible footprint

## ROTORS

- Precision welded and machined for the industry's tightest rotor to housing clearances
- Eight blade rotor design feeds smoother and maximizes the air seal design
- Abundant rotor construction and design combinations offer true custom designed solutions



MAKER OF THE ONLY  
**NFPA-69 TESTED**  
& CERTIFIED AIRLOCK  
IN NORTH AMERICA ✓



## END PLATES

- Outboard mounted bearings for maximum strength and access
- Self adjusting packing glands offer maintenance free constant packing pressure
- Quick change packings - Allows a packing change without having to remove the end plate
- Sealed for life bearings gives maintenance free operation

## DRIVES

- Unibase housing design allows gearbox to run quieter and maximize oil, seal and bearing life
- Quadralip seal allows for maximum protection from contaminants
- Inverter duty rated motors rated for 5:1 constant torque

## PRATER INDUSTRY CUSTOM SOLUTIONS

### NFPA-69

Tested and Certified

- Body and rotor have sufficient strength to withstand pressure up to 32 psi
- Two vane edges seal each side of body at all times
- Design clearances of less than 0.0079"

### MSHA

- Mine Safety and Health Administration - designed to meet with MSHA rules and regulations
- Our heavy duty valves out last the competition in these rugged applications

### V-PLOW

- For smooth operation with pellet application
- Extends rotor and housing life
- Eliminates material from jamming the rotor

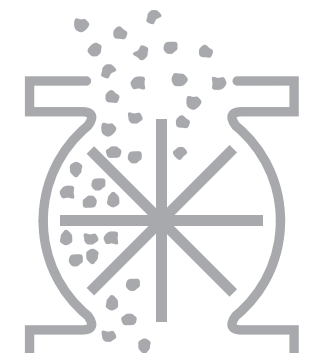
### PSR11

10 BAR EXPLOSION RESISTANT

- Designed and compliant with CSA-Z432-04 safeguarding of machinery

### CSA

- Designed and compliant with CSA-Z432-04 safeguarding of machinery
- Canadian Standards Association



**PRATER**<sup>®</sup>  
AIRLOCKS • MILLS • SEPARATORS

2 Sammons Court, Bolingbrook, IL 60440  
1-877-AIRLOCK • [praterindustries.com](http://praterindustries.com)